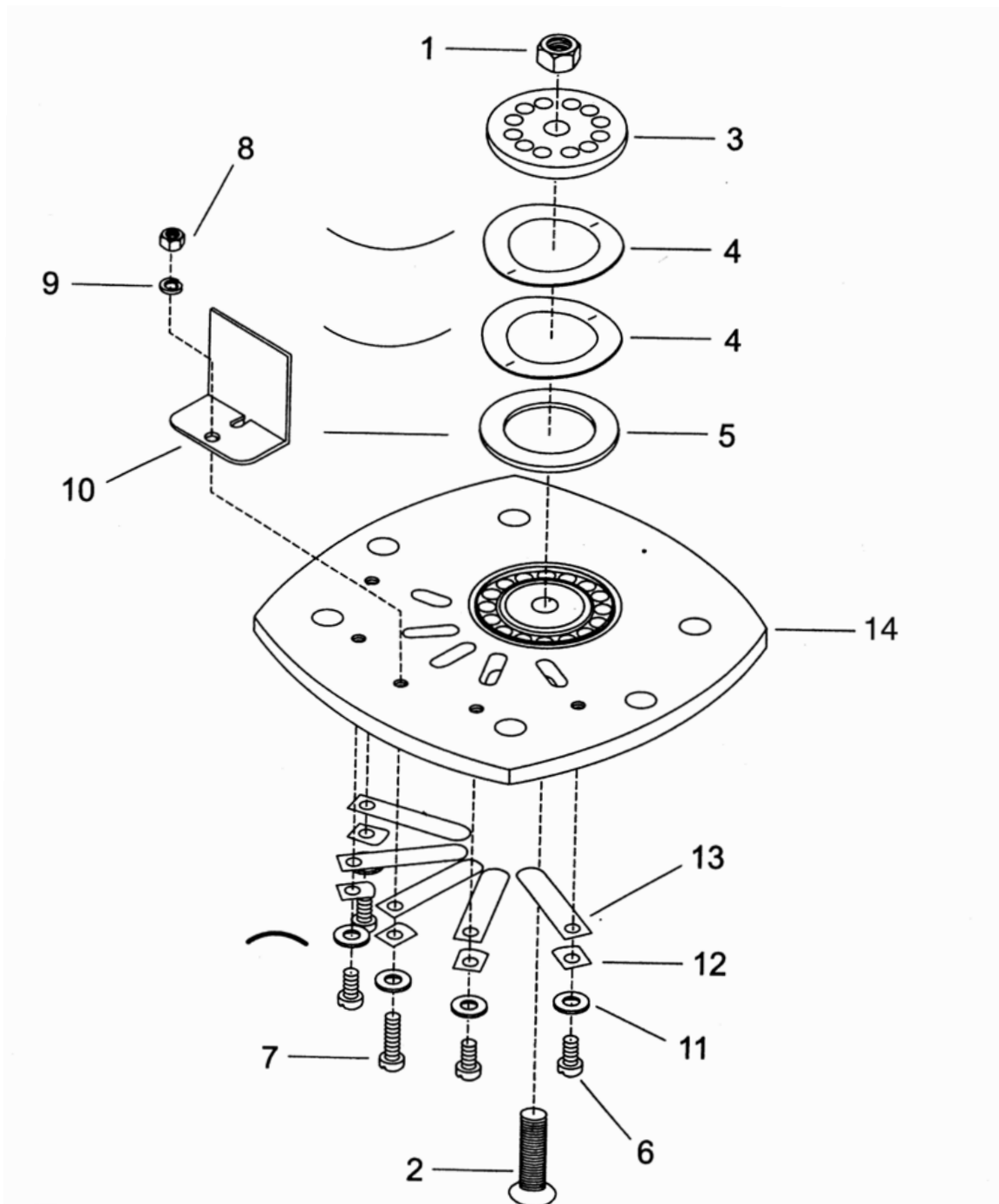


3. SECOND STAGE VALVE PLATE ASSEMBLY - MODEL 3000



All manufacturer's names, numbers, photos, product description and/or part numbers are used for reference purposes only & it is not implied that any part listed is the product of these manufacturers. Since Approvement are made from time to time, the illustration and specifications are subject to change without notice.

3. SECOND STAGE VALVE PLATE ASSEMBLY - MODEL 3000

No.	Description	Ref Part No.	QTY
REF	Assembly, Second Stage Valve Plate	32228322	1
3-1	– Nut, Whiz-Lock - 7/16-14 Hex	97166946	1
3-2	– Bolt, Valve	32223927	1
3-3	– Plate, Stop - Discharge	32228264	1
3-4	– Spring, Valve - Discharge	30221394	2
3-5	– Plate, Valve - Discharge	30215917	1
3-6	– Screw, Fillister Head -1/4-20 X 3/8"	32035511	4
3-7	– Screw, Machine - Fillister Head - 1/4-20 X 3/4"	32224008	1
3-8	– Nut, Hex -1/4-20	95416335	1
3-9	– Lockwasher, Spring -1/4"	32035479	1
3-10	– Diffuser, Valve Plate	32223919	1
3-11	– Washer, Belleville -1/4"	32217382	5
3-12	– Retainer, Finger Valve	32228306	5
3-13	– Valve, Finger	30220115	5
3-14	– Plate, Valve Seat	32228256	1