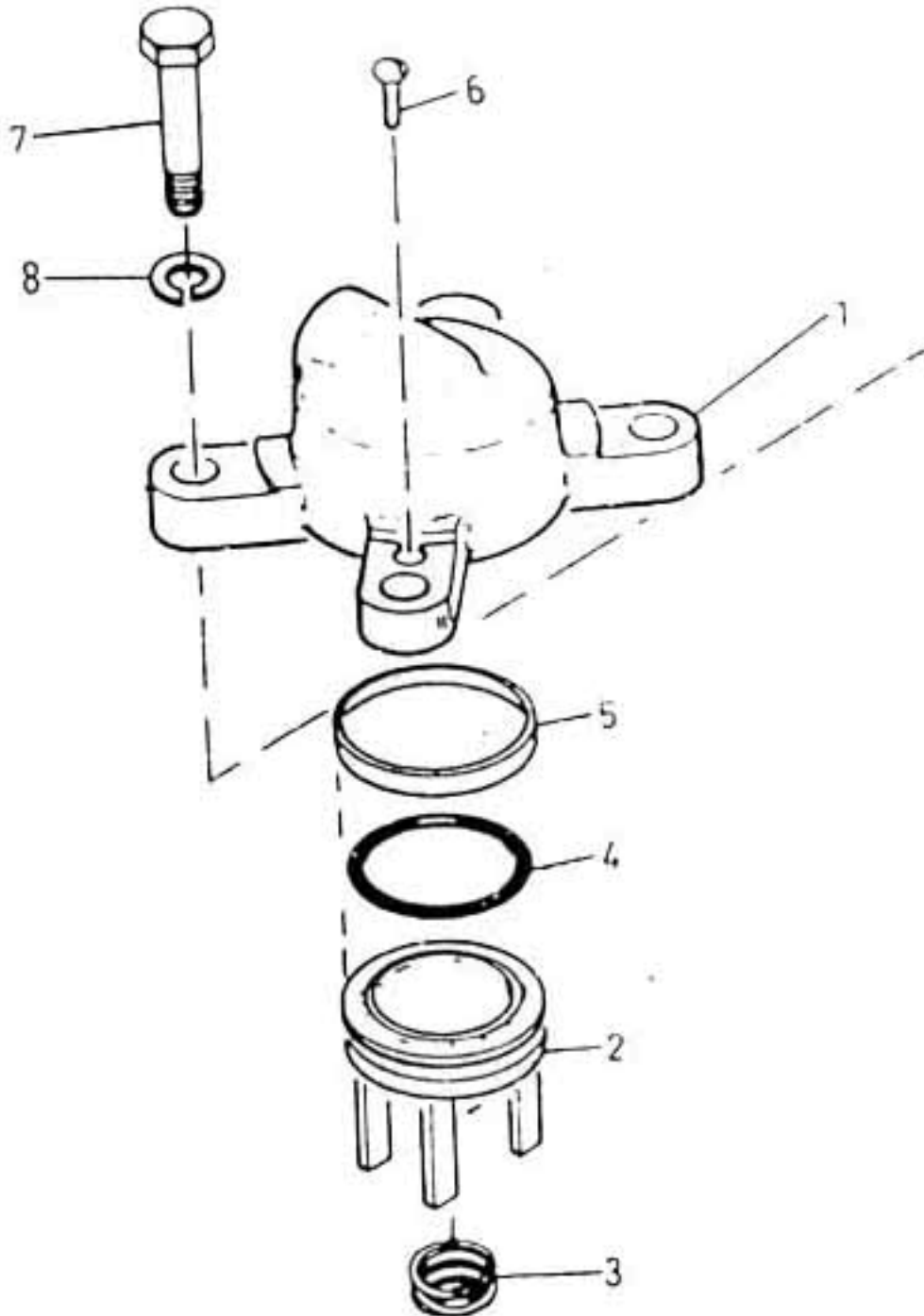


22. ASSEMBLY UNLOADER - MODEL 9.5 x 5 LUB



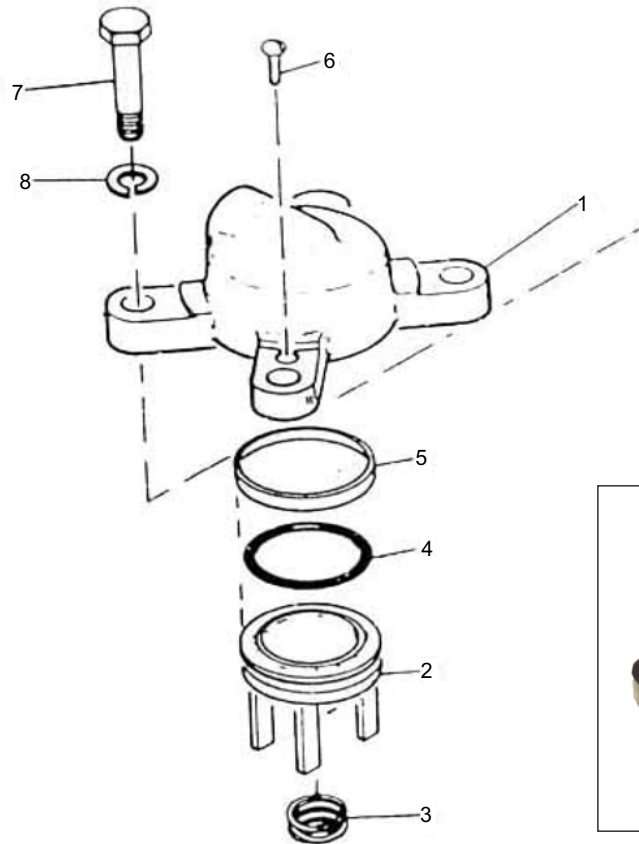
All manufacturer's names, numbers, photos, product description and/or part numbers are used for reference purposes only & it is not implied that any part listed is the product of these manufacturers. Since Approvement are made from time to time, the illustration and specifications are subject to change without notice.

22. ASSEMBLY UNLOADER - MODEL 9.5 x 5 LUB

No.	Description	Ref Part No.	QTY
–	Assembly Unloader	70265467	–
1	– Cage Unloader	30872634	1
2	– Plunger Unloader	30164263	1
3	– Spring Unloader	30673396	1
4	– "O" Ring 1-1/4" X 1-1/2" X 1/8"	95041539	1
5	– Ring Piston Unloader	30483051	1
6	– Screw Machine	95261707	2
7	– Screw Cap Hex Head 5/16" X 1-3/4"	70212162	4
8	– Washer Spring 5/16"	95096145	4

All manufacturer's names, numbers, photos, product description and/or part numbers are used for reference purposes only & it is not implied that any part listed is the product of these manufacturers. Since improvement are made from time to time, the illustration and specifications are subject to change without notice.

70265467 - ASSEMBLY UNLOADER



No.	Description	Ref Part No.	QTY
-	ASSEMBLY UNLOADER	70265467	-
1	- CAGE UNLOADER	30872634	1
2	- PLUNGER UNLOADER	30164263	1
3	- SPRING UNLOADER	30673396	1
4	- "O" RING 1-1/4" X 1-1/2" X 1/8"	95041539	1
5	- RING PISTON UNLOADER	30483051	1
6	- SCREW MACHINE	95261707	2
7	- SCREW CAP HEX HEAD 5/16" X 1-3/4"	70212162	2
8	- WASHER SPRING 5/16"	95096145	4

All manufacturer's names, numbers, photos, product description and/or part numbers are used for reference purposes only & it is not implied that any part listed is the product of these manufacturers. Since Approvement are made from time to time, the illustration and specifications are subject to change without notice.